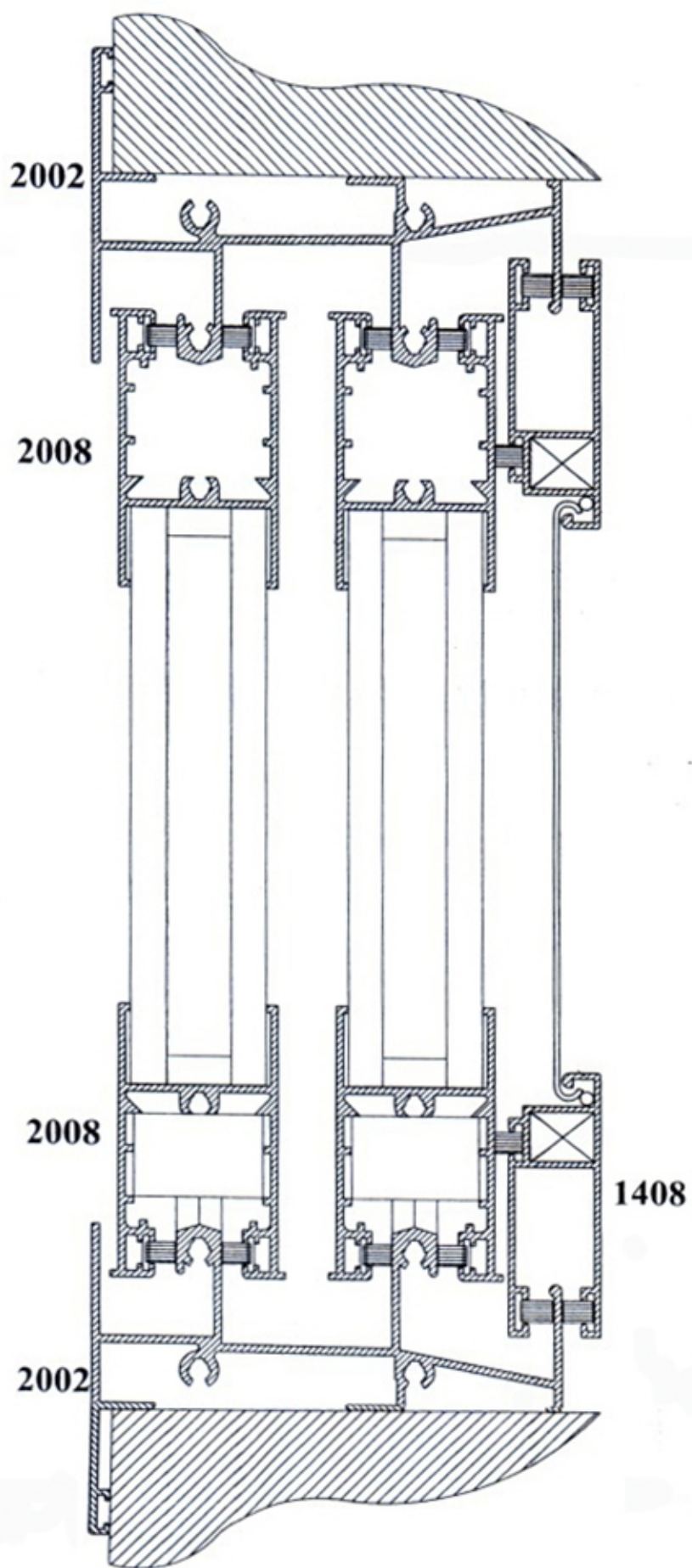
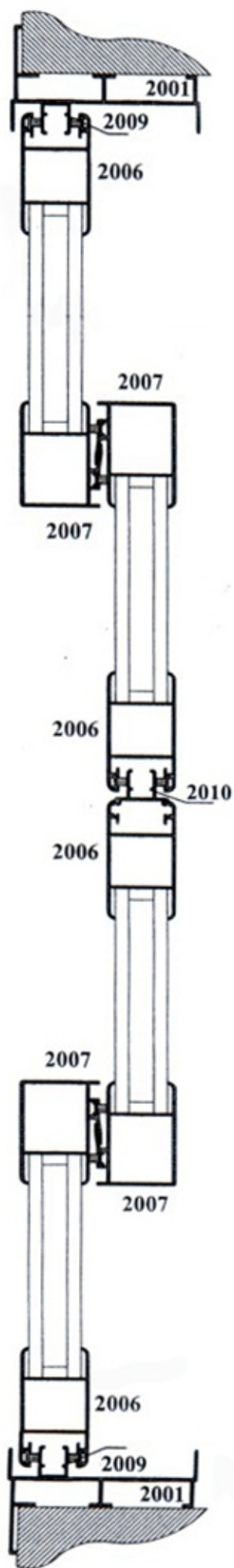


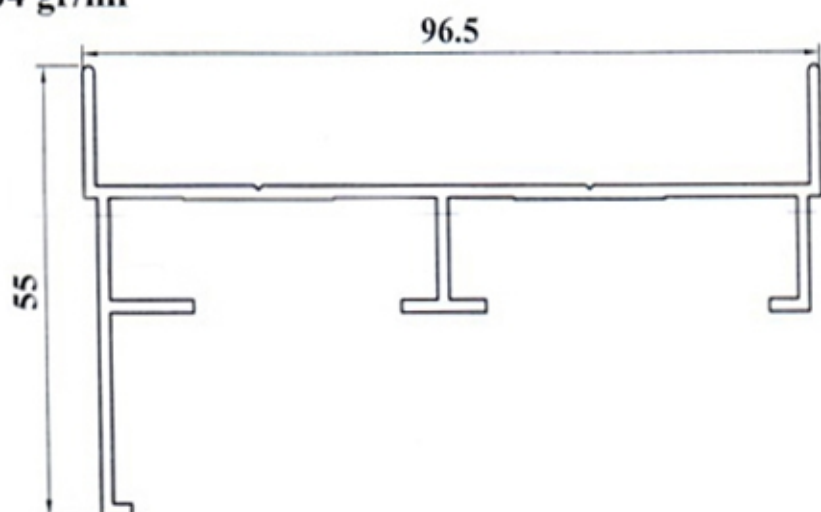
2000 Series Sliding System





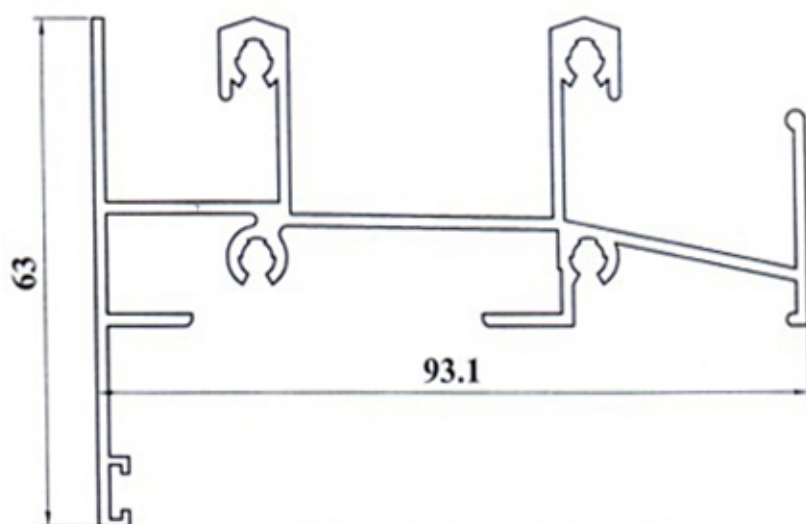
N°:2001

Weight: 1004 gr/ml



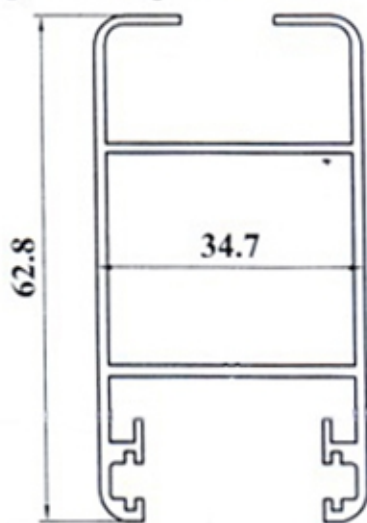
N°:2002

Weight: 1460 gr/ml



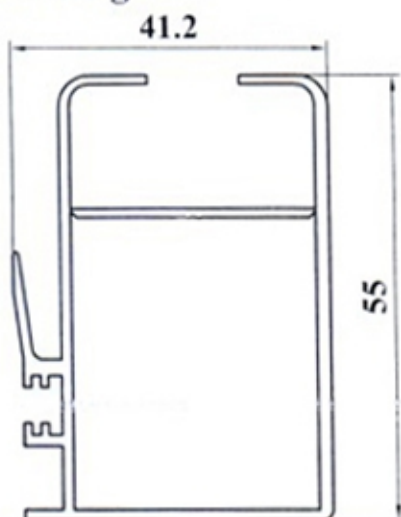
N°:2003

Weight: 904 gr/ml



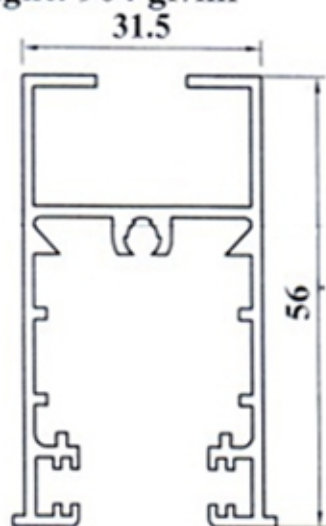
N°:2004

Weight: 969 gr/ml



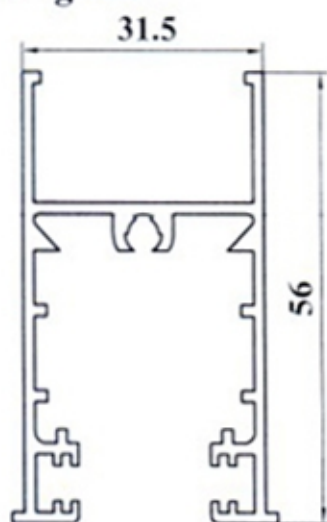
N°:2005

Weight: 904 gr/ml



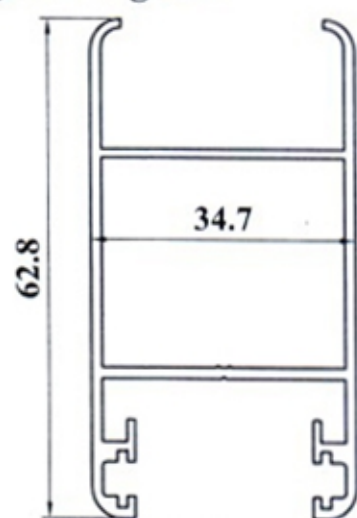
N°:2008

Weight: 847 gr/ml



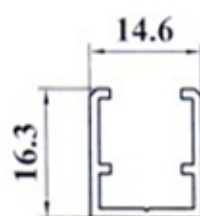
N°:2006

Weight: 847 gr/ml



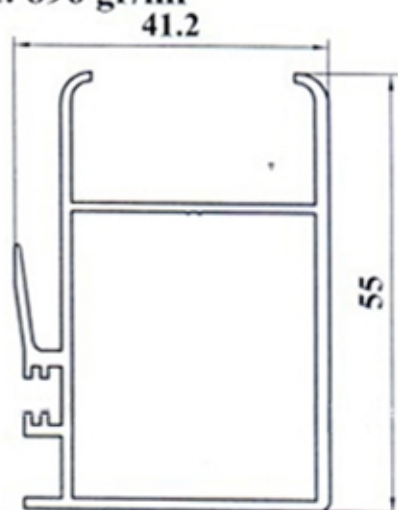
N°:2009

Weight: 195 gr/ml



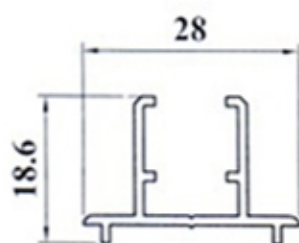
N°:2007

Weight: 896 gr/ml



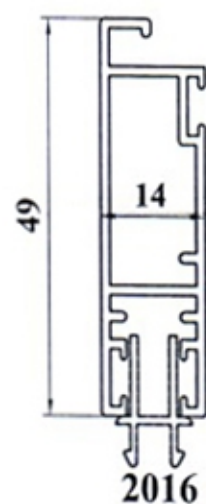
N°:2010

Weight: 258 gr/ml



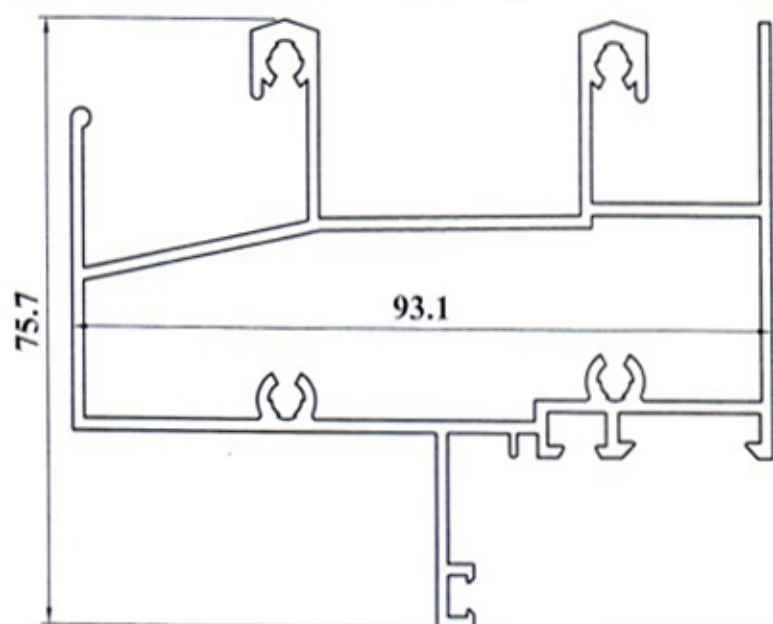
N°:2011

Weight: 504 gr/ml



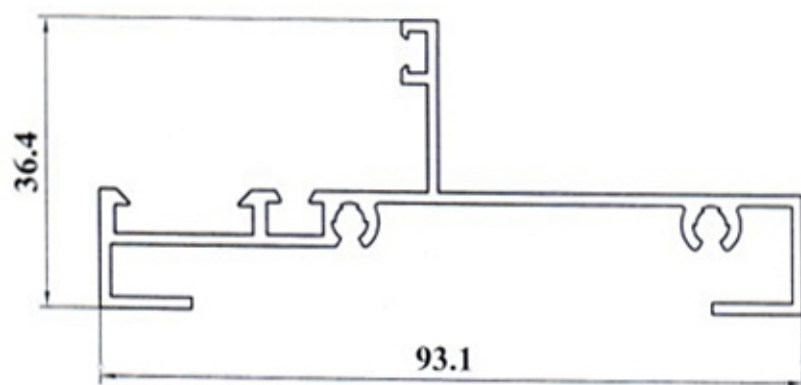
N°:2012

Weight: 1860 gr/ml



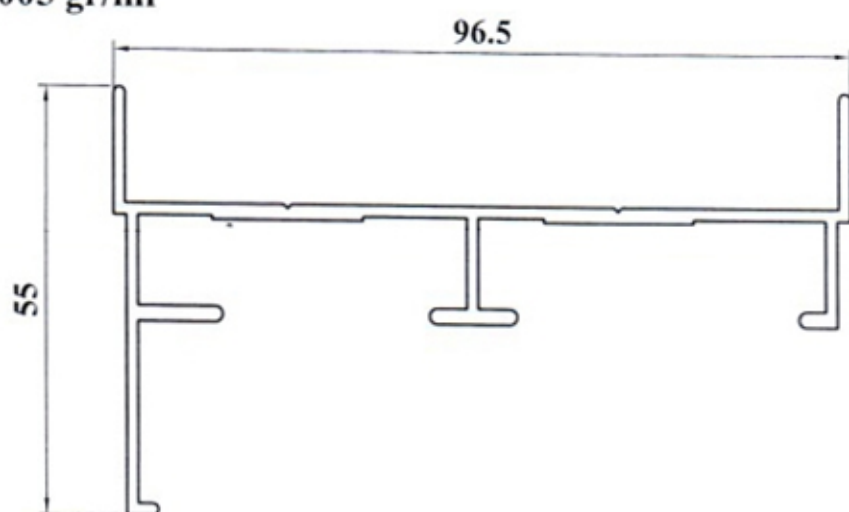
N°:2013

Weight: 872 gr/ml



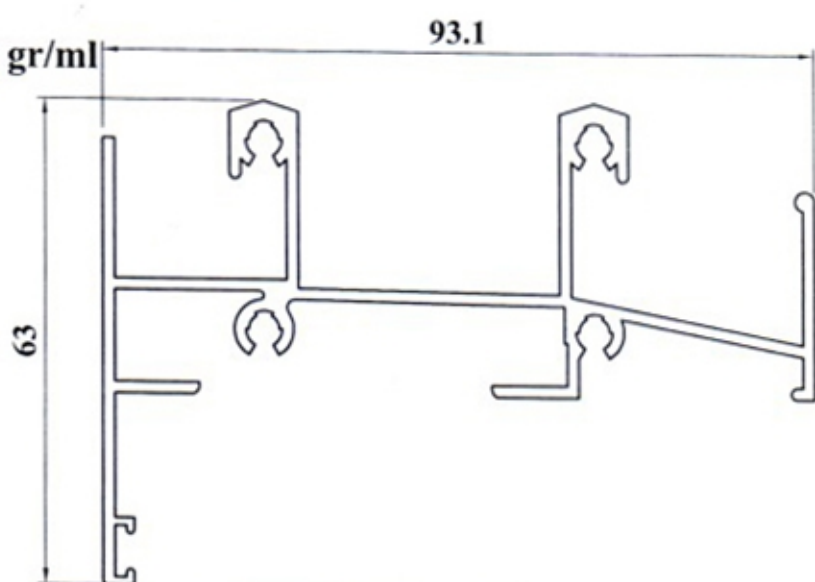
N°:2031

Weight:1005 gr/ml



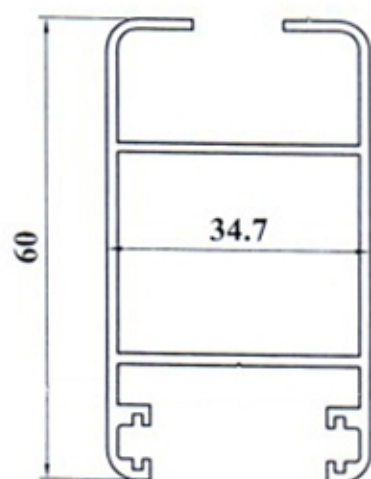
N°:2032

Weight:1450 gr/ml



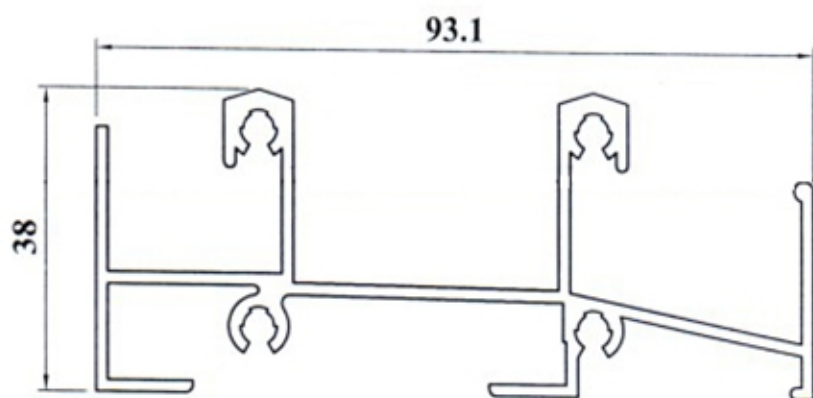
N°:2033

Weight: 857 gr/ml



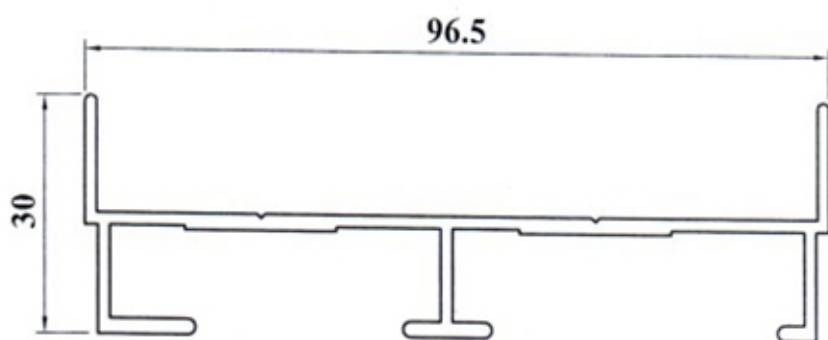
N°:2034

Weight: 1325 gr/ml



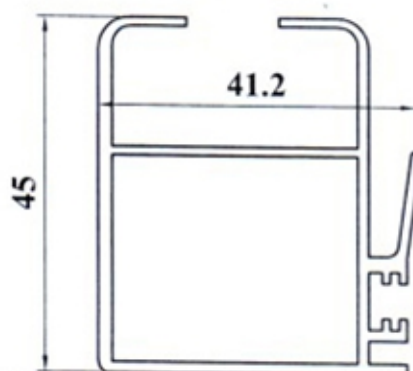
N°:2035

Weight: 890 gr/ml



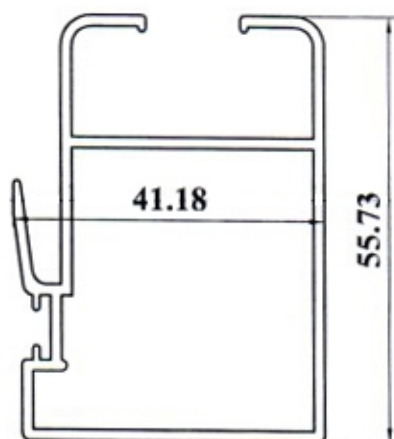
N°:2036

Weight: 803 gr/ml



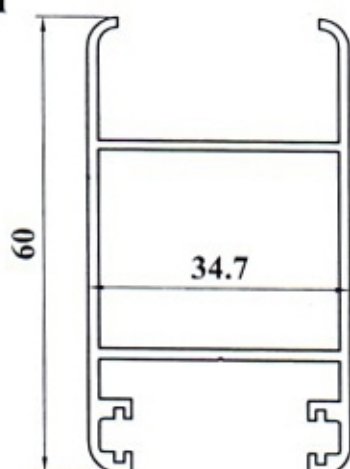
N°:2038

Weight: 899 gr/ml



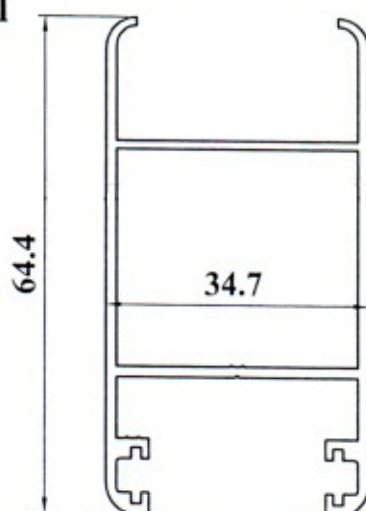
N°:2039

Weight: 885 gr/ml



N°:2026

Weight: 960 gr/ml





Zahle - Bekaa - Lebanon - P.O.Box 283 - Tel: +961 8 931414 - Fax: +961 8 931418